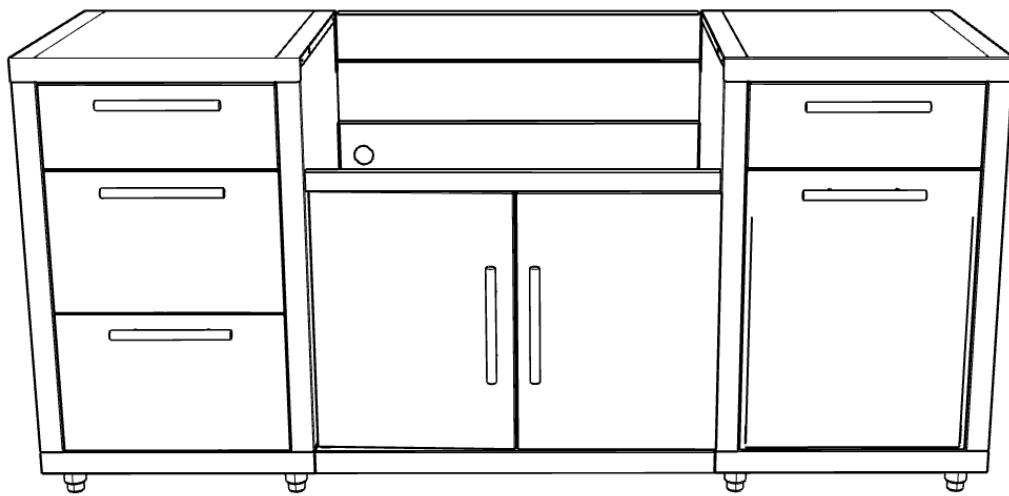




# BLAZE™

## OUTDOOR KITCHEN + GRILLS



**PREMIUM LTE SERIES PRODUCT MANUAL**

### Blaze Appliance Island

FITS WITH: LBM/LTE/LTE+/LTEPRO (32")



SCAN TO REGISTER

[BlazeGrills.com](https://www.BlazeGrills.com)



## WARNING



**CALIFORNIA PROPOSITION 65 WARNING:** This product can expose you to chemicals including Chromium (hexavalent compounds), which are known to the State of California to cause cancer and birth defects or other reproductive harm. For more information go to: [www.P65Warnings.ca.gov](http://www.P65Warnings.ca.gov)



Do not use power tools to assemble. Only use hand tools, as power tools can damage or loosen the nutsert.

**Tools Needed:** #2 Phillips Head Screw Driver – “Not Included”



hardware needed "included"



10-32 × 1/2 in. screw 10-32 × 3/4 in. screw

### Before getting started:

Unpack and lay out all of the included parts. Most of the stainless steel pieces come with a protective film. Remove all of the plastic film and pay no attention to the print on the film as it has nothing to do with the assembly instructions.

Take caution with the stainless steel components as to not scratch them during the assembly process. Use a non-aggressive surface and protect the stainless steel as best as possible. The foam and box can be used to place the stainless steel parts on to prevent scratching. - (16) 10-32 × 1/2 in

**NOTE** - screws for the door handles are smaller and those are packaged with the handles them self.

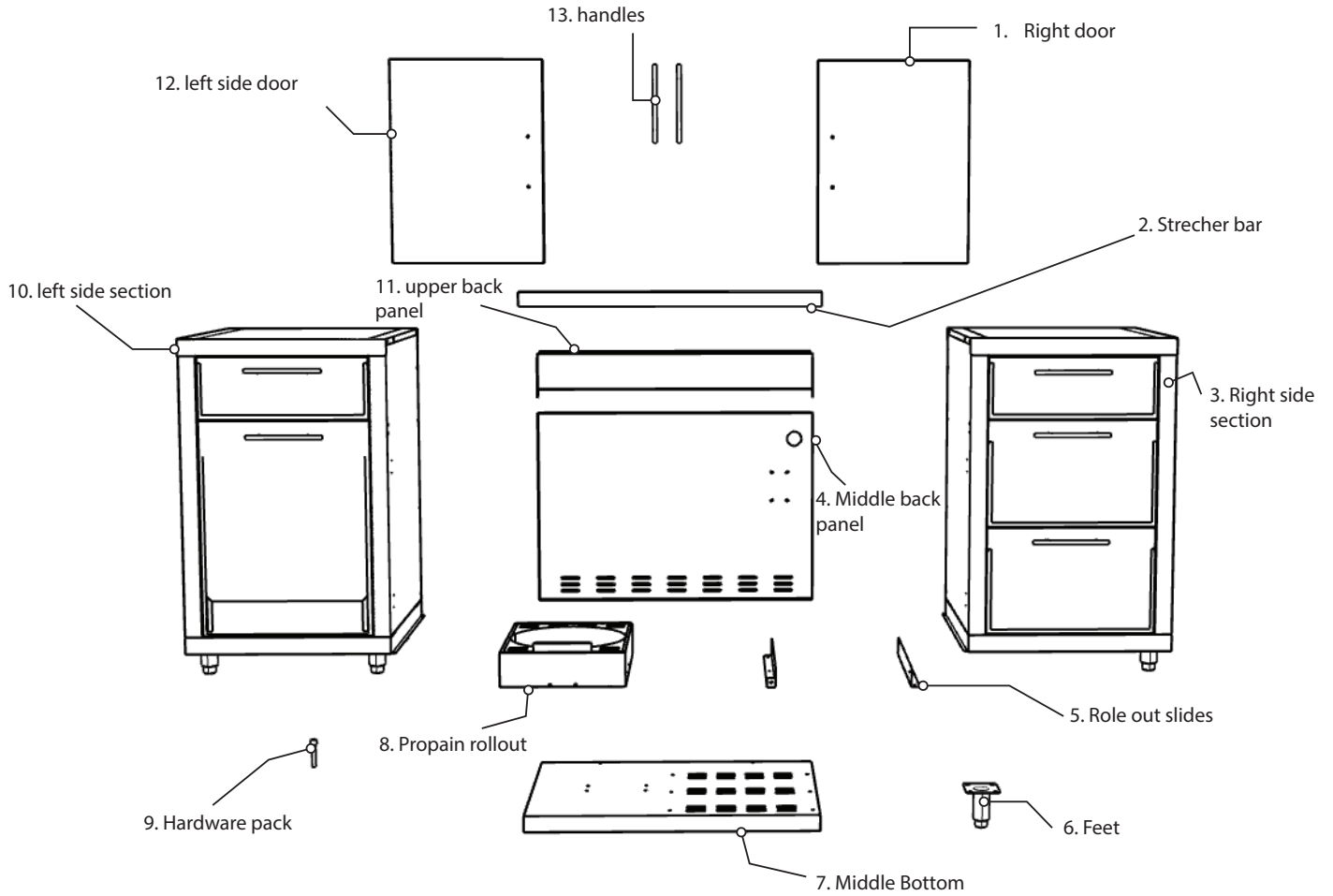
(2) 0-32 × 3/4 in. - are to be used last and are for securing BBQ to island.

The appliance is to be placed into the island after all instructions have been followed and all screws have been tightened.



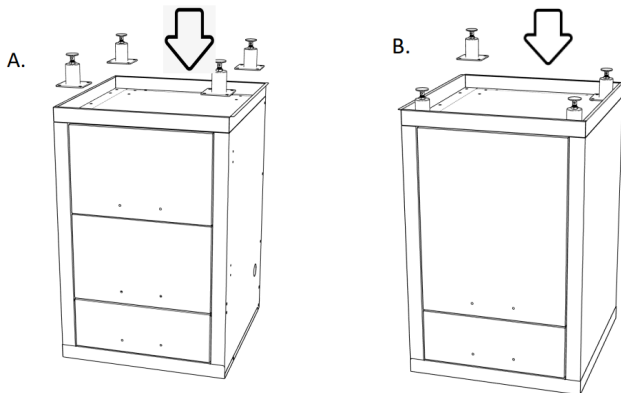
# Exploded View and Replacement Parts

BLZ-SS-ISLAND-RO

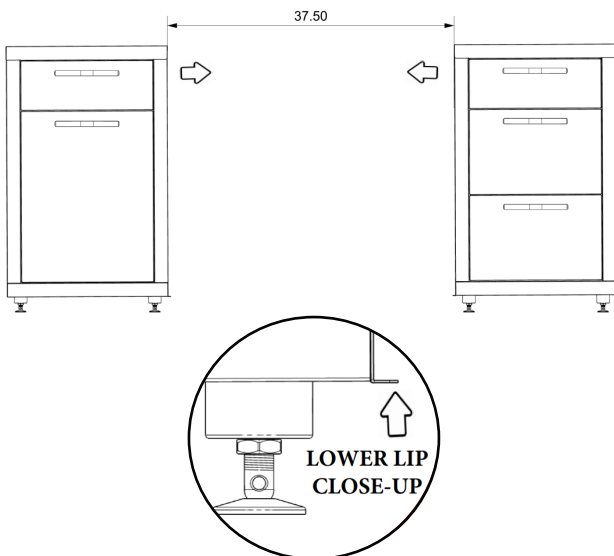


Blaze Part Number: Reference Guide			
1. BLZ-ISLAND-SS DOOR RH	10. BLZ-SS-ISLAND-2		
2. BLZ-SS-ISLAND-RO-001	11. BLZ-ISLAND-SS BACK PANEL TOP		
3. BLZ-SS-ISLAND-3	12. BLZ-ISLAND-SS DOOR LH		
4. BLZ-ISLAND-SS MIDDLE BACK PANEL	13. BLZ-D/DR-2		
5. BLZ-DRWR-001	14.		
6. BLZ-SS-ISLAND-FEET	15.		
7. BLZ-ISLAND-SS BOTTOM PANEL	16.		
8. BLZ-TREC-DRW-001	17.		
9. BLZ-HARDWARE-ISLAND-SS LEGS			

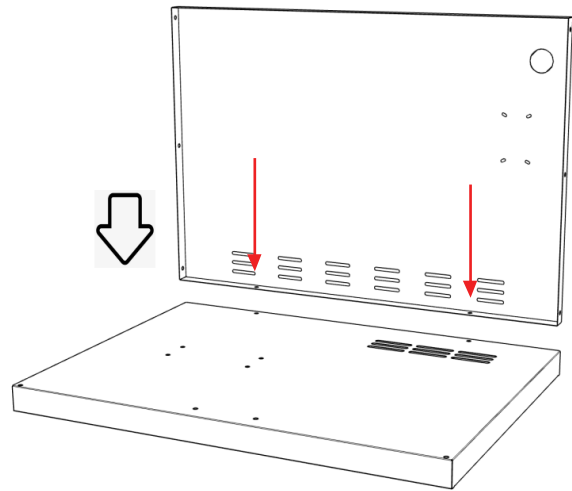
**STEP 1:** Locate left and right drawer assemblies. Making sure to use a protective surface. Flip the drawer assembly upside down on a protected surface exposing the four locations where the legs attach. Each location will have 4 nutserts (female threaded inserts which a screw goes into). This is the location where the legs install. Attach four leg assemblies to each drawer assembly (see figure A). Located the other drawer assembly and repeat. (see figure B). Set these parts aside for later use.



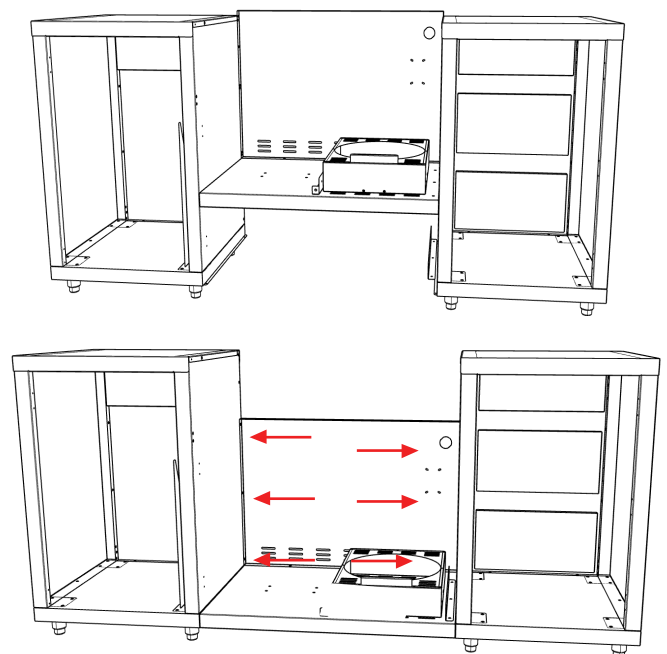
**STEP 2:** Place the two drawer assemblies roughly 37 1/2" apart. Make sure the bottom lip on both assemblies are facing towards the center of the island.



**STEP 3:** Next, attach the back panel to the bottom center panel using three screws. **DO NOT COMPLETELY TIGHTEN.** make sure your working on a soft surface to keep from damaging the product

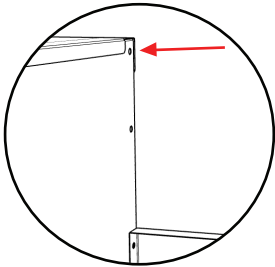
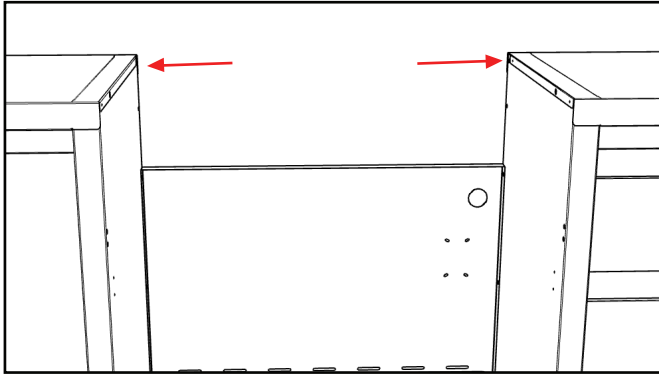


**STEP 4:** Place center panel between the drawer assemblies (it will rest on the inside bottom lip located on both drawer assemblies). You will need two people to align the drawer assemblies to the center panel. Once the center panel is in place and aligned the the front of the drawer assemblies use 6 screws to attach drawer assemblies to center back panel.

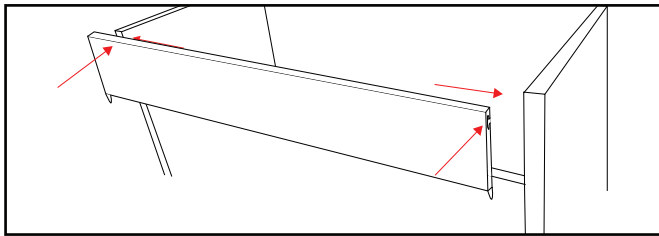




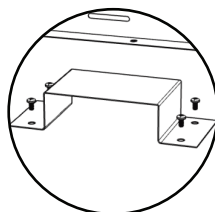
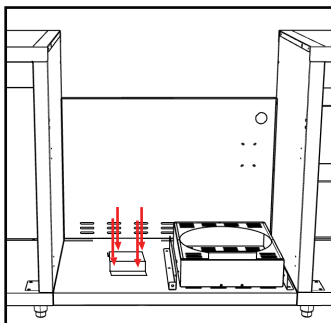
**STEP 5:** Attach the upper two screws on the back side panel, but do not fully tighten them until the island is fully assembled.



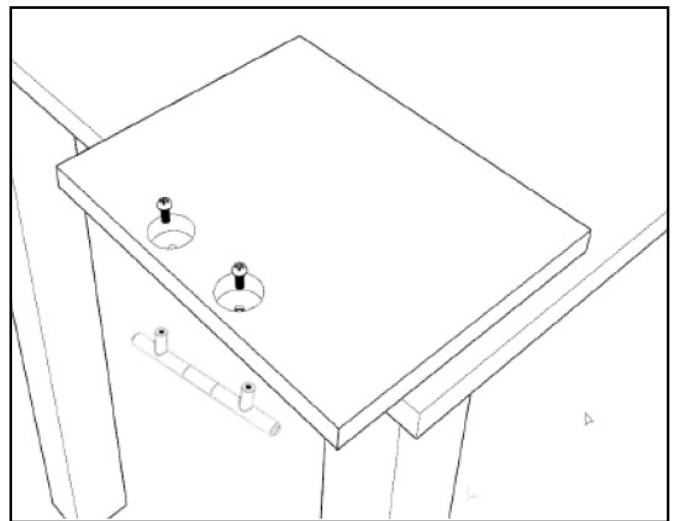
**STEP 6:** Slide the back panel on left and right screws located on the side panels do not tighten them let this panel hang on these screws for now.



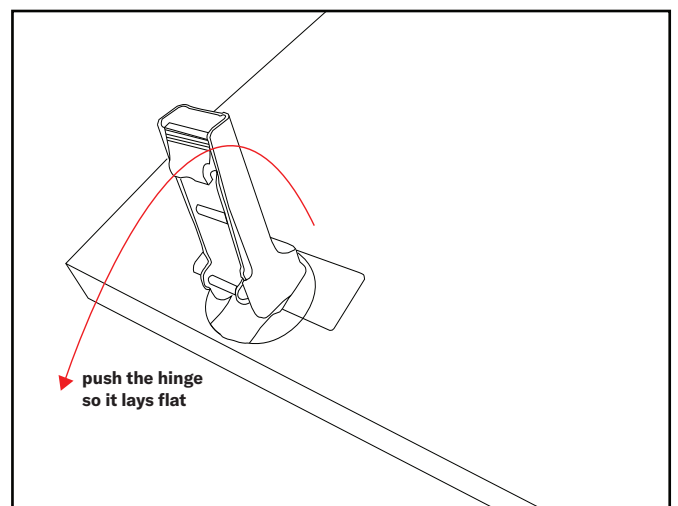
**STEP 7 :** Attach the tank interference bracket (Not included for a 3 burner island model). This piece is intended to interfere with a second LP tank being stored inside the grill island which is not permitted. Using 4 screws, attach and tighten the Tank Interference bracket to the 4 nutserts.



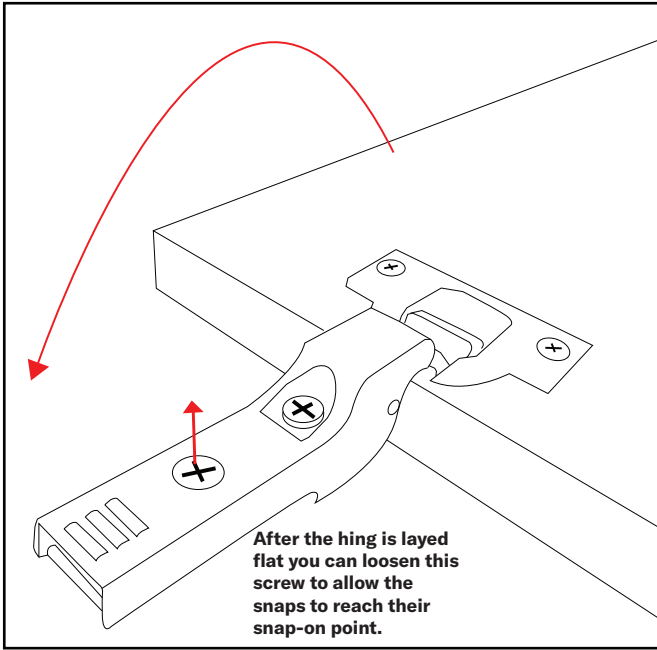
**STEP 8:** Attach Door Handles to the Doors - The door handles and hardware come packaged separately from the rest of the hardware. Two screws (M6x8) hold each handle to the door. Take care as to not scratch the doors by laying them on a soft surface. Hint: While on a soft surface on a work area like a table, hang the door off the edge just to the point where the holes are exposed for door handle. Place the screw in your screw driver then guide the screw into the hole on the door. Once in place, move the handle to the screw and get it started a small amount. This gives flexibility when attaching the second screw. Once both screws are in place, tighten completely.



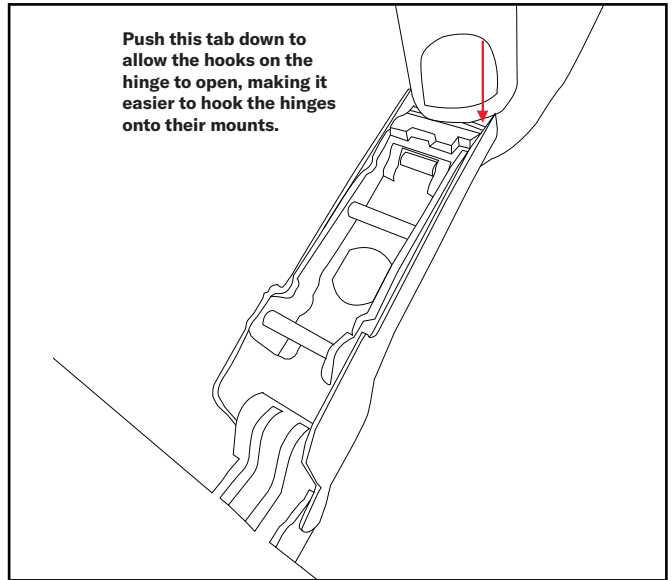
**STEP 9:** To attach the soft-close hinges to the island, start by flattening the hinges and loosening the adjustment screw.



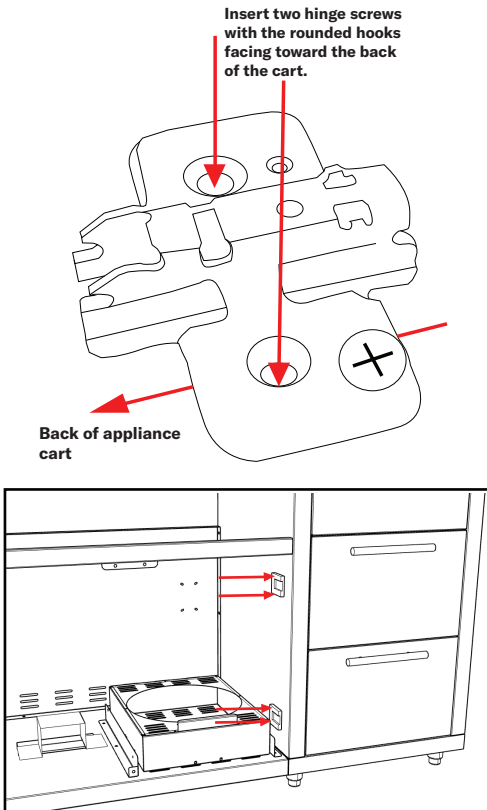
**STEP 10:** Then loosen the adjustment screw.



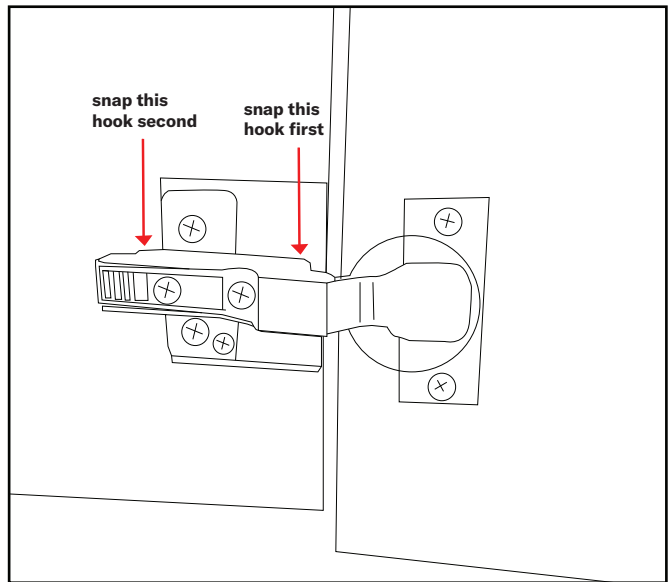
**STEP 12:** To attach the soft-close hinge, snap one hinge at a time onto the hinge mounts, hooking the front hook first, then pushing down the back until you hear a click. This may take multiple tries, and you may need to loosen the adjustment screw.



**STEP 11:** To attach the soft-close hinge mounts to the island as shown.

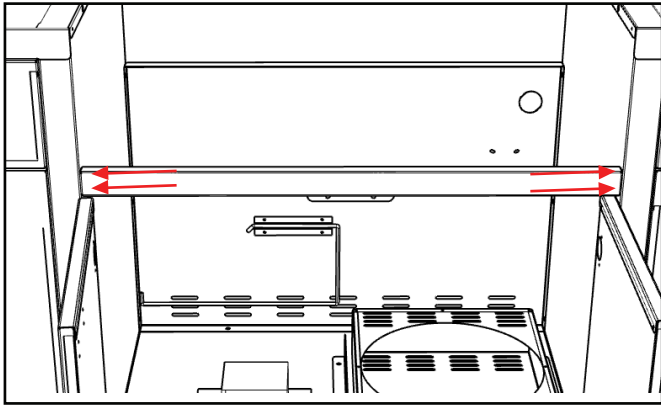


Pushing this tab while trying to snap the hinge on will help the hinge have enough clearance to snap into place.

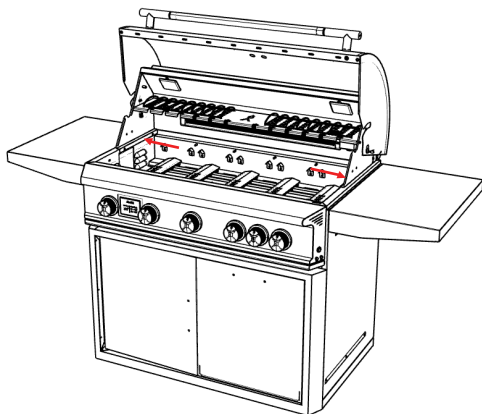
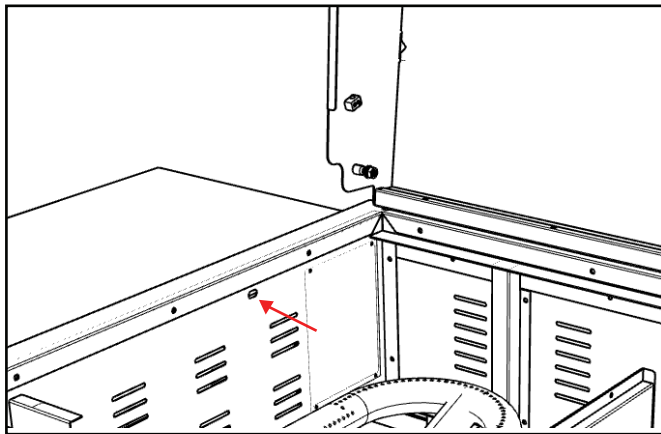




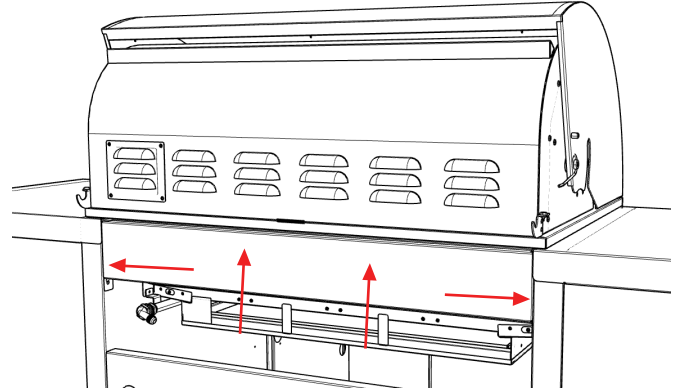
**STEP 13:** attach the front Strut to the left and right hand side panels using three screws per side.



**STEP 14:** The appliance is placed into the island and attached with two screws. Always use a partner when lifting the appliance, and removing the internal parts above the burners can help reduce the weight, making it easier to lift. With the cooking grids still removed, you will notice an opening toward the front left and right sides on the inside of the grill body. One screw per side goes through the inside of the grill and attaches to the grill island. Tighten these screws, but do not over-tighten.



**STEP 15:** once your appliance is in place push upper back panel into the slot on the back of the grill to lock it in place. Put locking screws in each side of the back panel.



Please leave these instructions with the consumer.

Please read and retain these instructions for future reference and before installation or operation.

### Contact Us:

Blaze

3401 Oak Villa Blvd. Baton Rouge, LA 70814

Phone: 866-976-9510

[customerservice@blazegrills.com](mailto:customerservice@blazegrills.com)

### Contact Us:

 @Blazegrills

 @Blaze\_Grills

 @BlazeOutdoorProducts